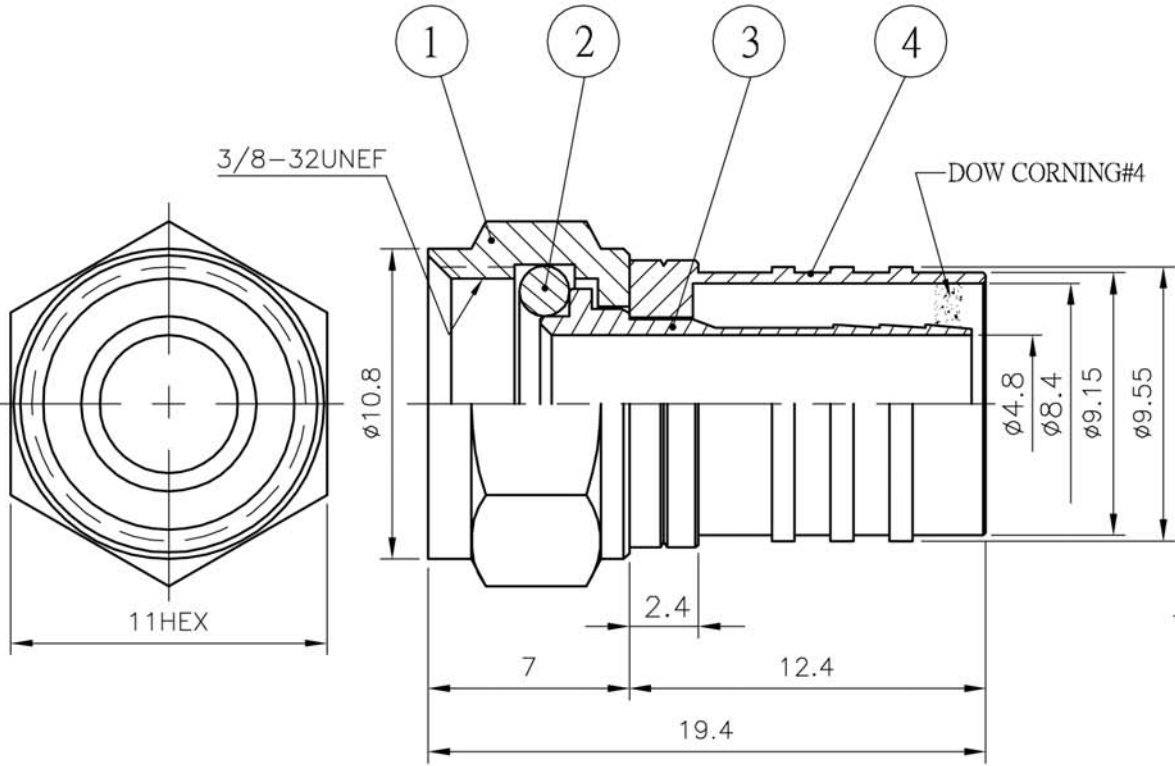


NO.	REV' NO.	DATE	NOTE	REV' BY	APPROVED	REMARK
△						
△						



1	4	DAF40699	M8.4-B	BRASS	GOLD-ZINC(Cr+3)
1	3	DAF46027	F56-OR-C	BRASS	GOLD-ZINC(Cr+3)
1	2	DFO41951	F90-ORING	NBR	
1	1	DAG43521	A2-59IS/WS-A	BRASS	GOLD-ZINC(Cr+3)

Q' TY	NO.	DWG. NO.	PART NAME	MATL	REMARK
SCALE	MATL		FINISHED	ASS' Y	CFC-7314
4/1					
THIRD ANGLE	UNIT	mm	PART NAME	F56 ALWP (M), 1pc Crimp-On, w/ 'O'Ring & Gel for RG6 PVC	DWG. NO. DAA49710-01
APPROVED	CHECKED	DESIGN	DRAW		



KAREN  
Oct/8-'08



Quest Technology Int'l, Inc.  
11200 NW 135th St, Medley, FL 33178  
Tel: 305-513-9553 Fax: 305-513-9675  
www.QuestTechnologyIntl.com